

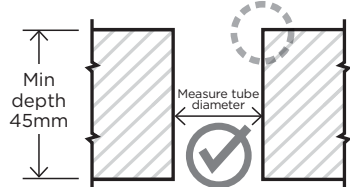
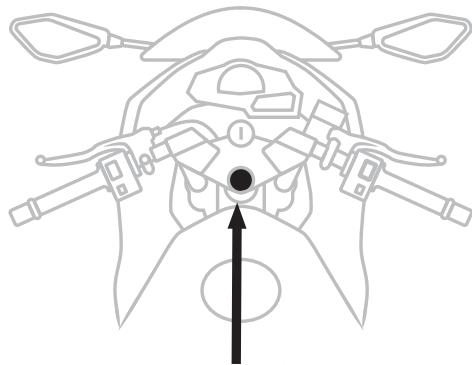
MOUNT **MOTORCYCLE FORK STEM MOUNT PRO**

SCAN CODE TO SEE INSTALL VIDEO

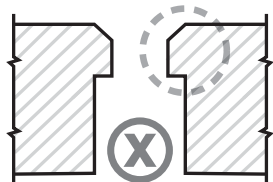


PRE-INSTALL CHECK

Measure tube diameter, select and fit the correct spacer before installing the mount.
Expand the spacer to approx hole diameter before installation.

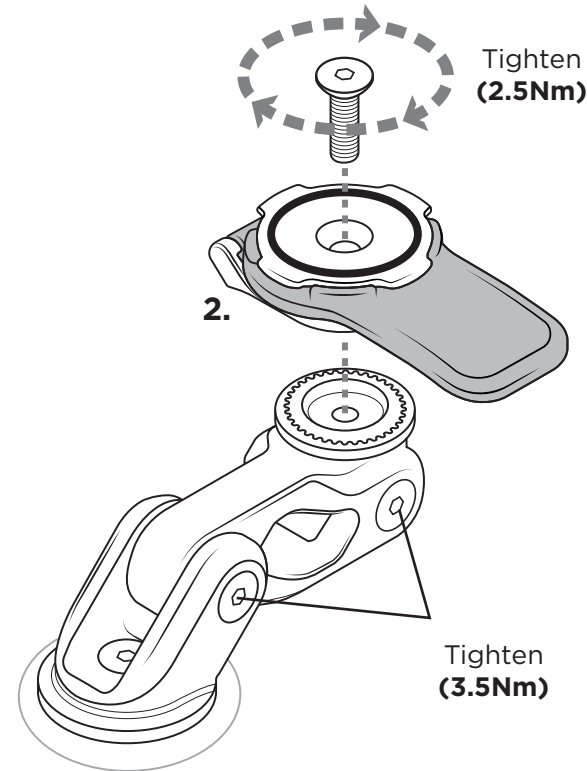
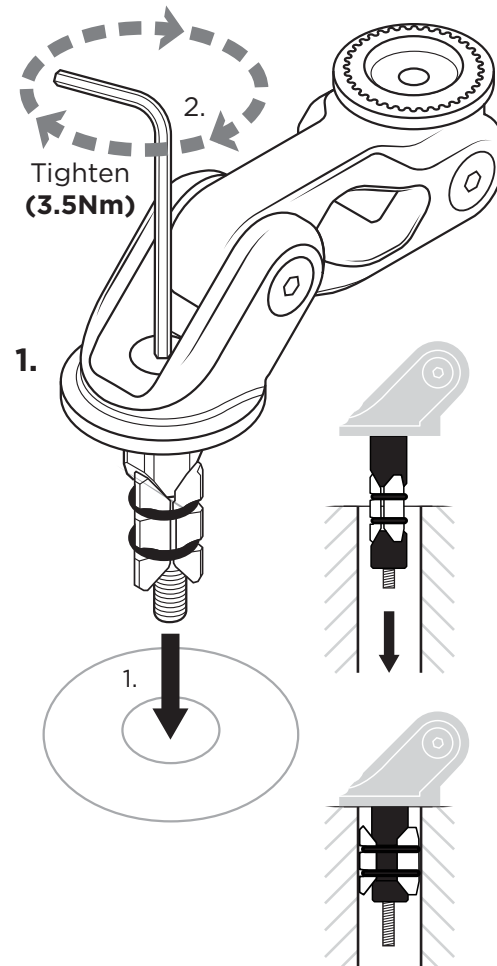


**NO LIP IN TUBE
SAFE TO INSTALL**

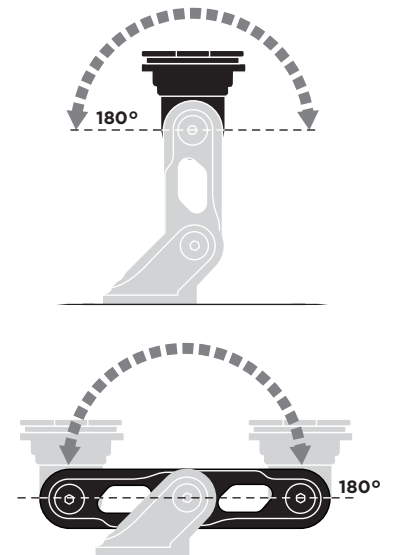


**LIP AT TOP OF TUBE
DO NOT INSTALL**

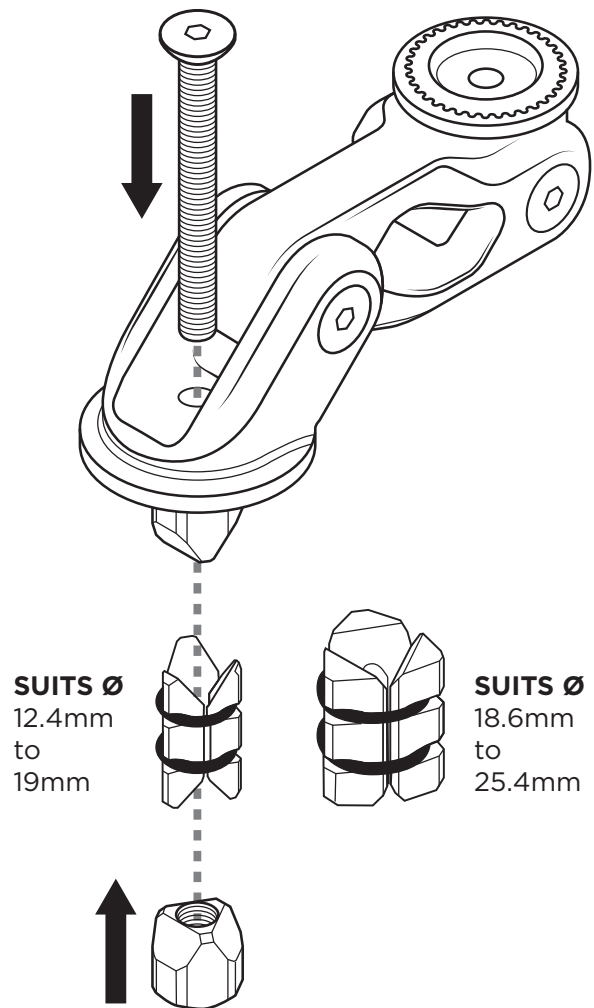
INSTALLING THE MOUNT



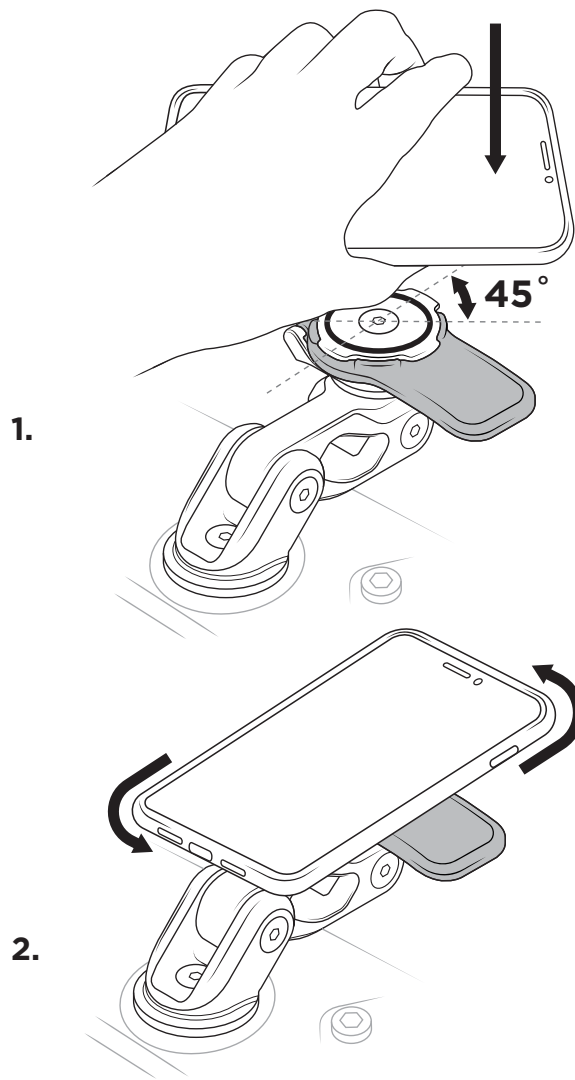
ADJUST YOUR MOUNTING ANGLE



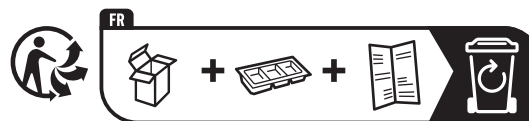
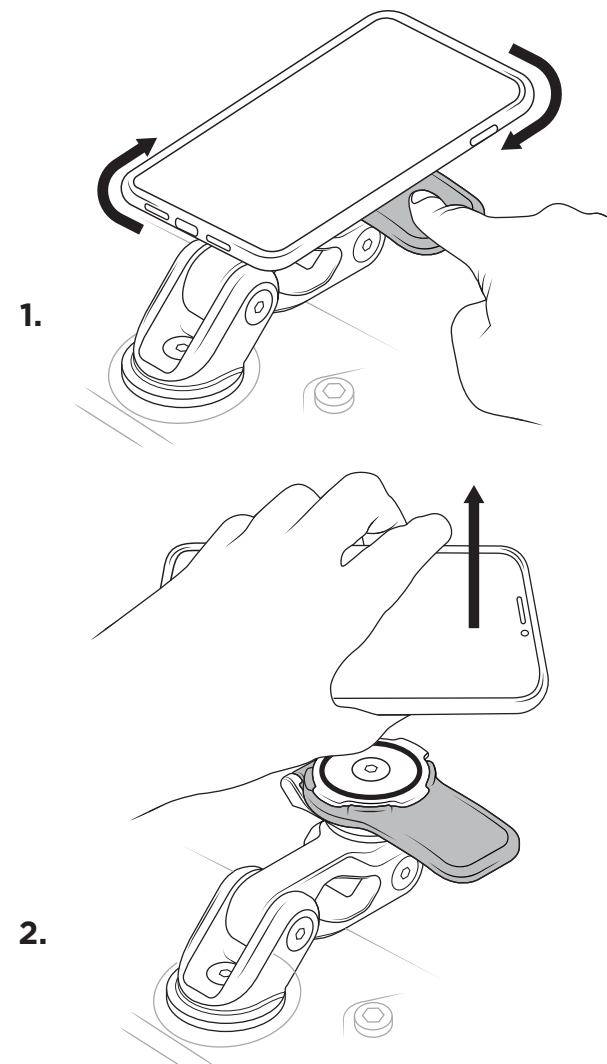
CHANGING THE SPACER (IF NEEDED)



ATTACH YOUR PHONE



DETACH YOUR PHONE



RACCOLTA DIFFERENZIATA.
VERIFICA LE DISPOSIZIONI DEL TUO COMUNE.
SVUOTARE L'IMBALLAGGIO.