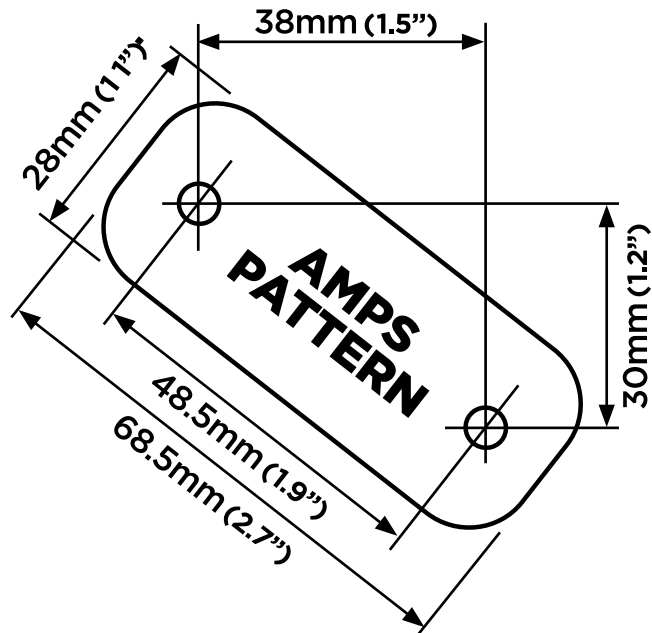
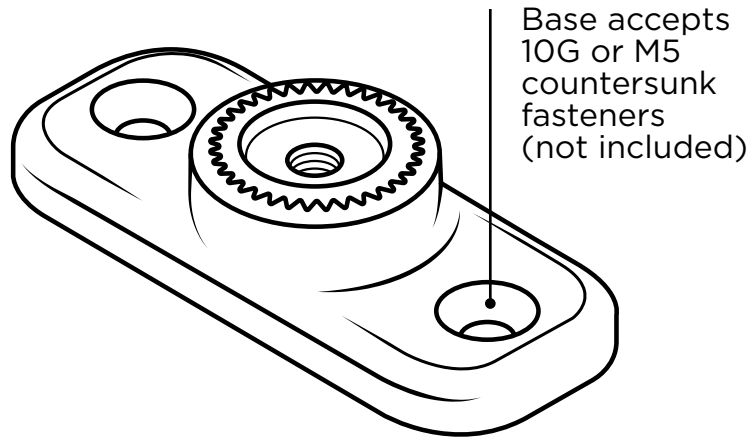


BASE **FLAT RECTANGLE 2 HOLE**



BASE **FLAT RECTANGLE 4 HOLE**

