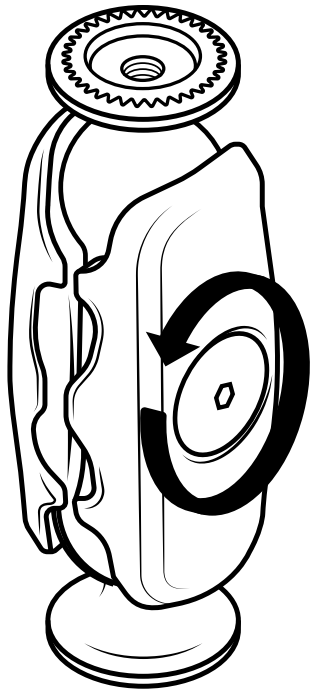
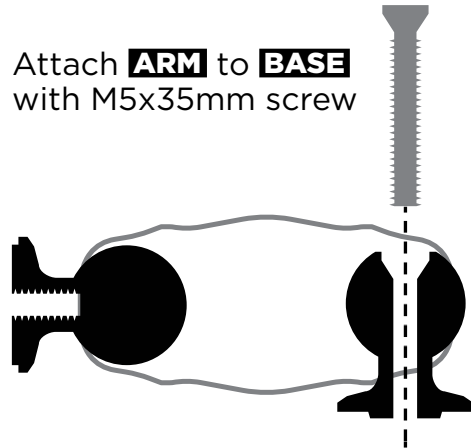


ARM DUAL PIVOT SMALL/MEDIUM

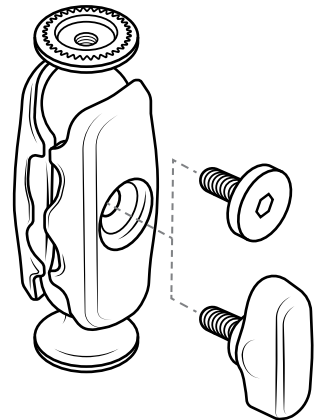
Use 3mm Hex Key to loosen



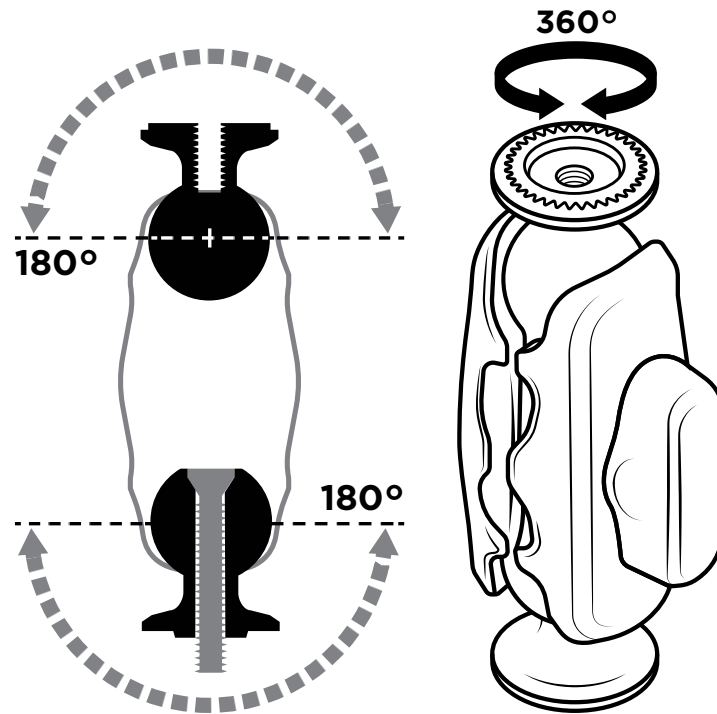
Attach **ARM** to **BASE** with M5x35mm screw



OPTIONAL Replace Hex Screw with Thumbscrew



Adjust **ARM** to required angle



Rotate hex screw (or thumbscrew) to tighten

