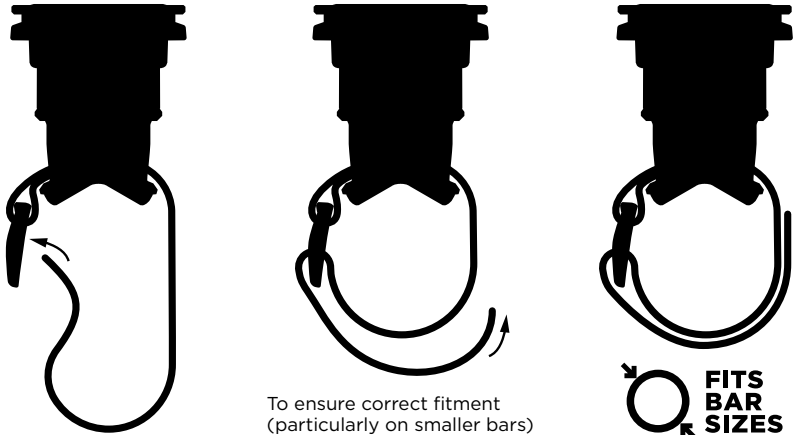


## MOUNT QUICK RELEASE STRAP

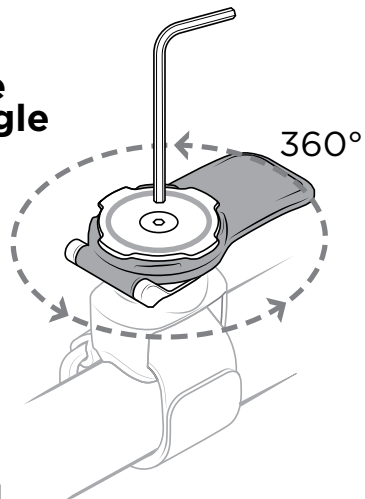
### Attaching the Strap



To ensure correct fitment (particularly on smaller bars) pull the strap through so the D-Ring stops hard against the mount base before fitting to bar

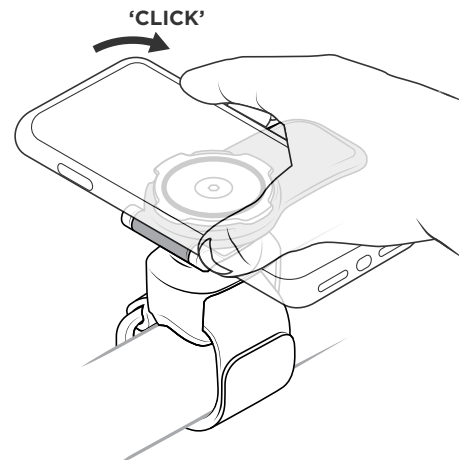
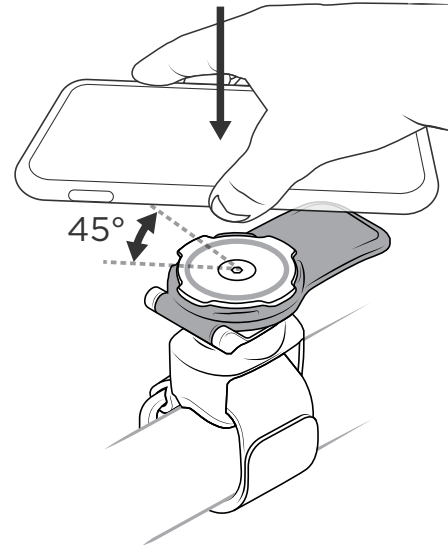
 **FITS BAR SIZES**  
20mm (0.79")  
to 38mm (1.5")

### Adjusting the mounting angle



**NOTE:**  
Hex Key not supplied

### Attaching your phone



### Detaching your phone

