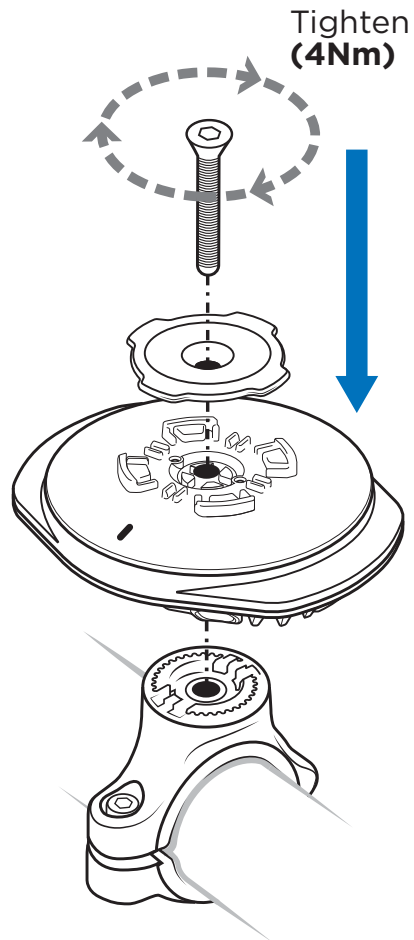
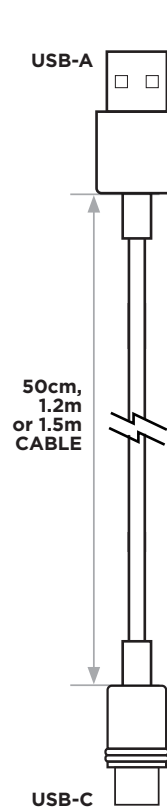
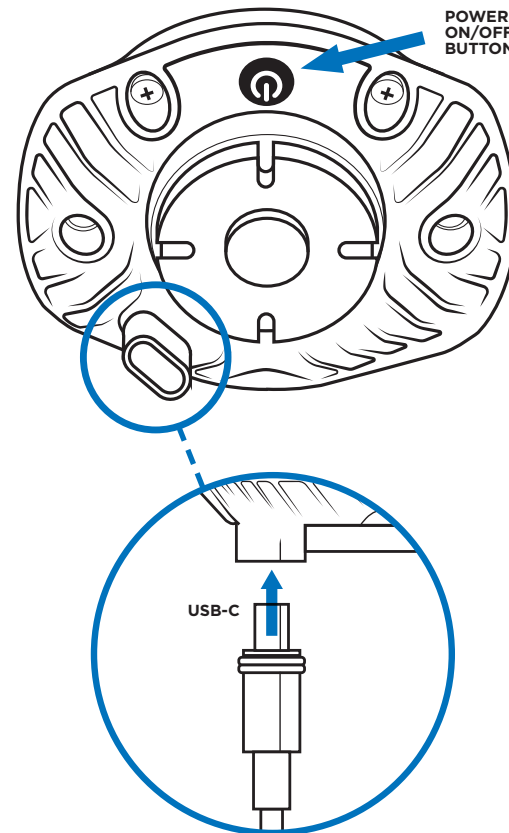


## HEAD WEATHERPROOF WIRELESS CHARGER

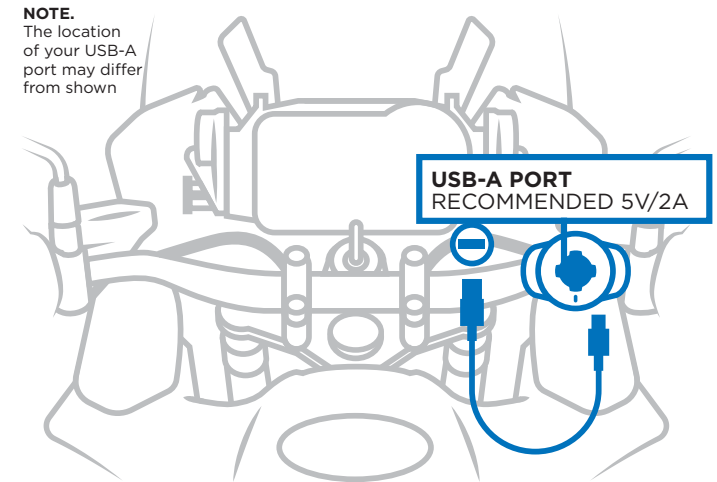
### Attach Wireless Charging Head



### Wiring Instructions



**NOTE.**  
The location of your USB-A port may differ from shown



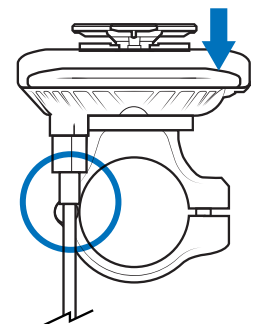
### Cable fitment

#### USING CABLE TIES?



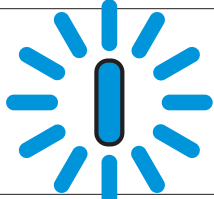

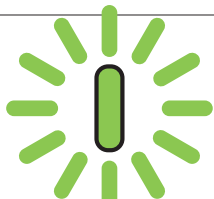
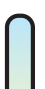
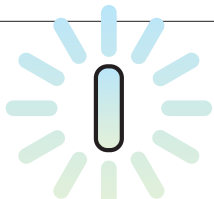
We advise against putting the cables under too much tension. Allow for a little movement, otherwise you may find the cable being pulled or bumped out of the socket whilst your bike is in motion.

#### CABLE CLEARANCE

To ensure the power cable doesn't interfere with motorcycle operation (steering, breaking etc.), push the Wireless Charging Head down, then turn the handlebars.

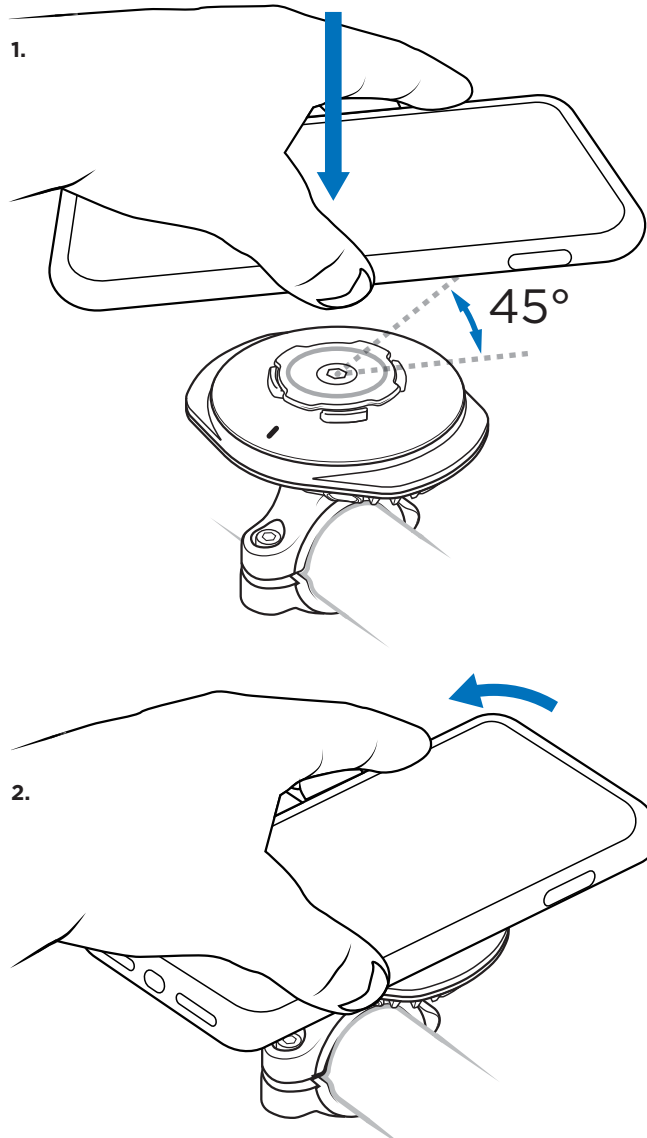


## LED states

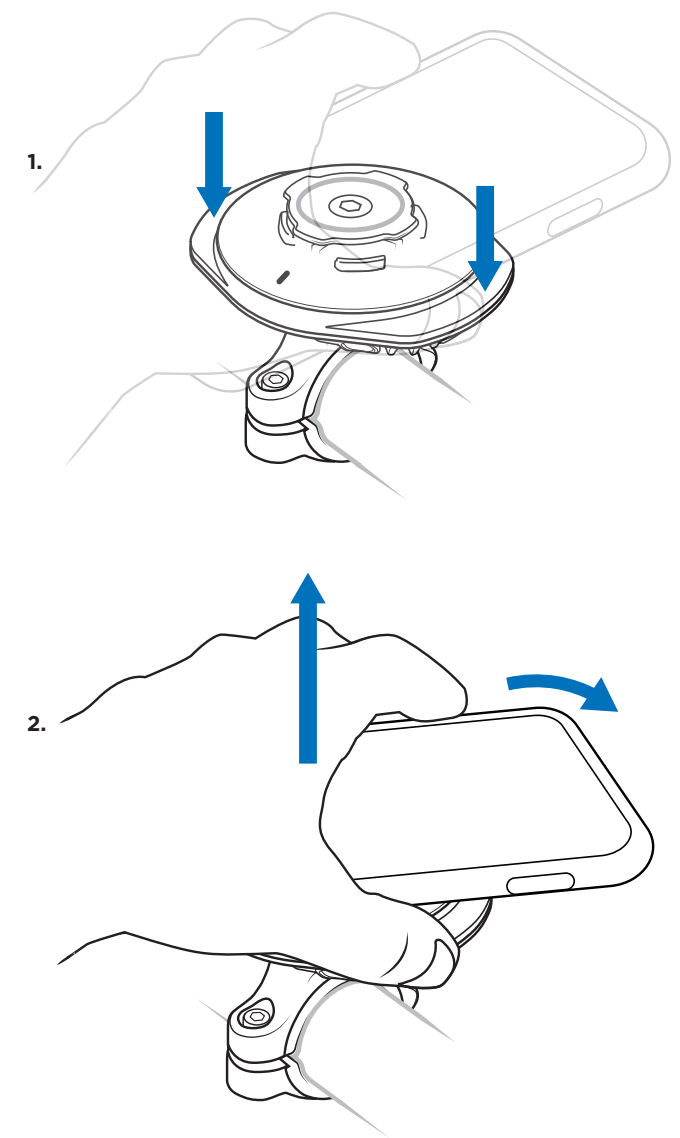
	<b>POWER ON</b> 
	<b>ERROR MODE</b>
	<b>CHARGING</b>
	<b>LOW INPUT POWER MODE</b> <5W (5V/1A)
	<b>FULL CHARGE</b>
	<b>WIRELESS CHARGER</b> <b>OVER HEATING</b>

The phone may reach 100% charge but in some instances it may take a long time for the cyan light to show.

## Attaching your phone



## Detaching your phone



FR



RACCOLTA DIFFERENZIATA.  
VERIFICA LE DISPOSIZIONI DEL TUO COMUNE.  
SVUOTARE L'IMBALLAGGIO.