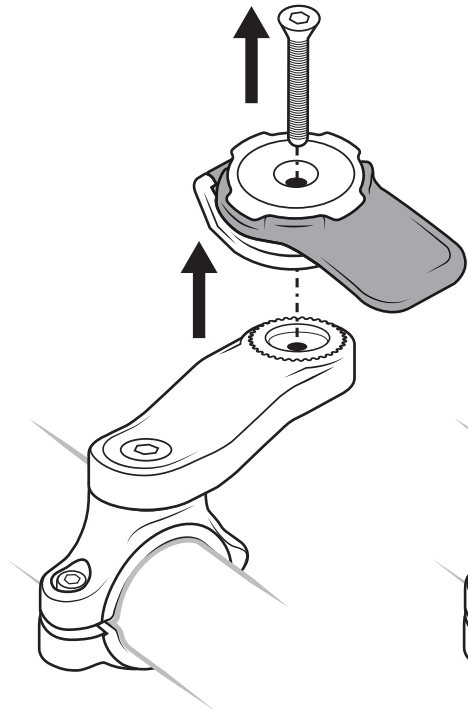


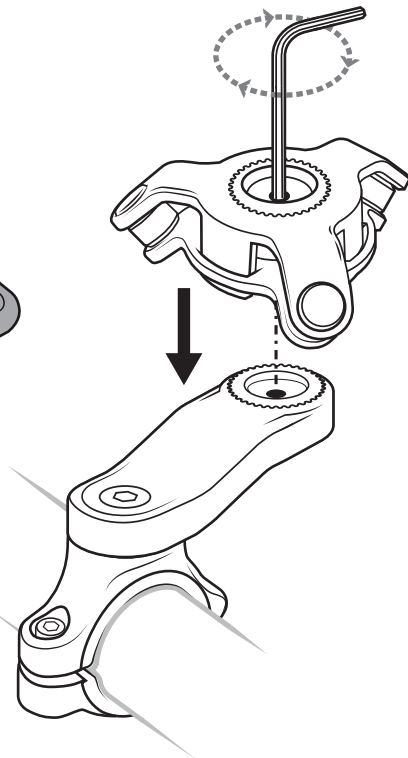
ACCESSORY VIBRATION DAMPENER

INSTALLATION

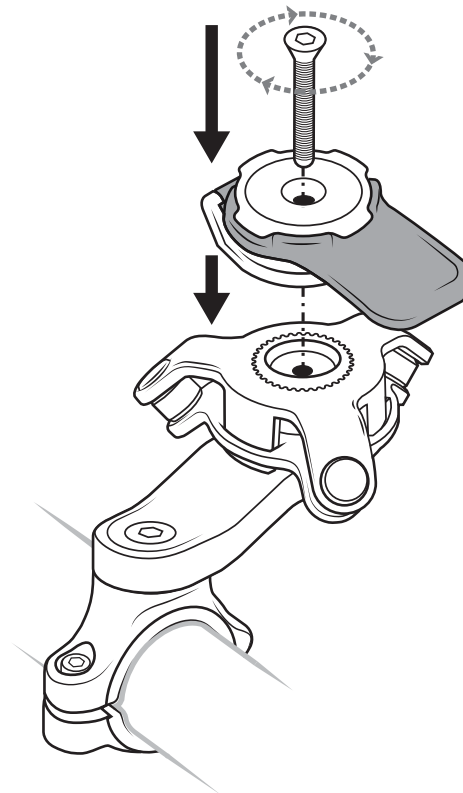
1. REMOVE EXISTING INDEX LEVER HEAD



2. ATTACH VIBRATION DAMPENER

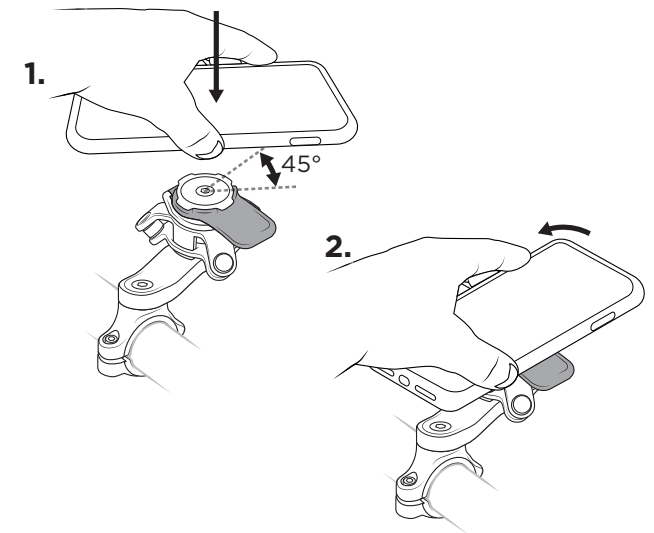


3. REATTACH EXISTING INDEX LEVER HEAD

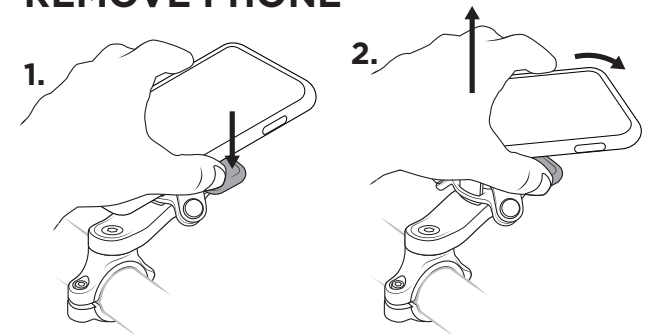


NOTE.
Motorcycle Handlebar Mount shown as example. Mount not included

ATTACH PHONE

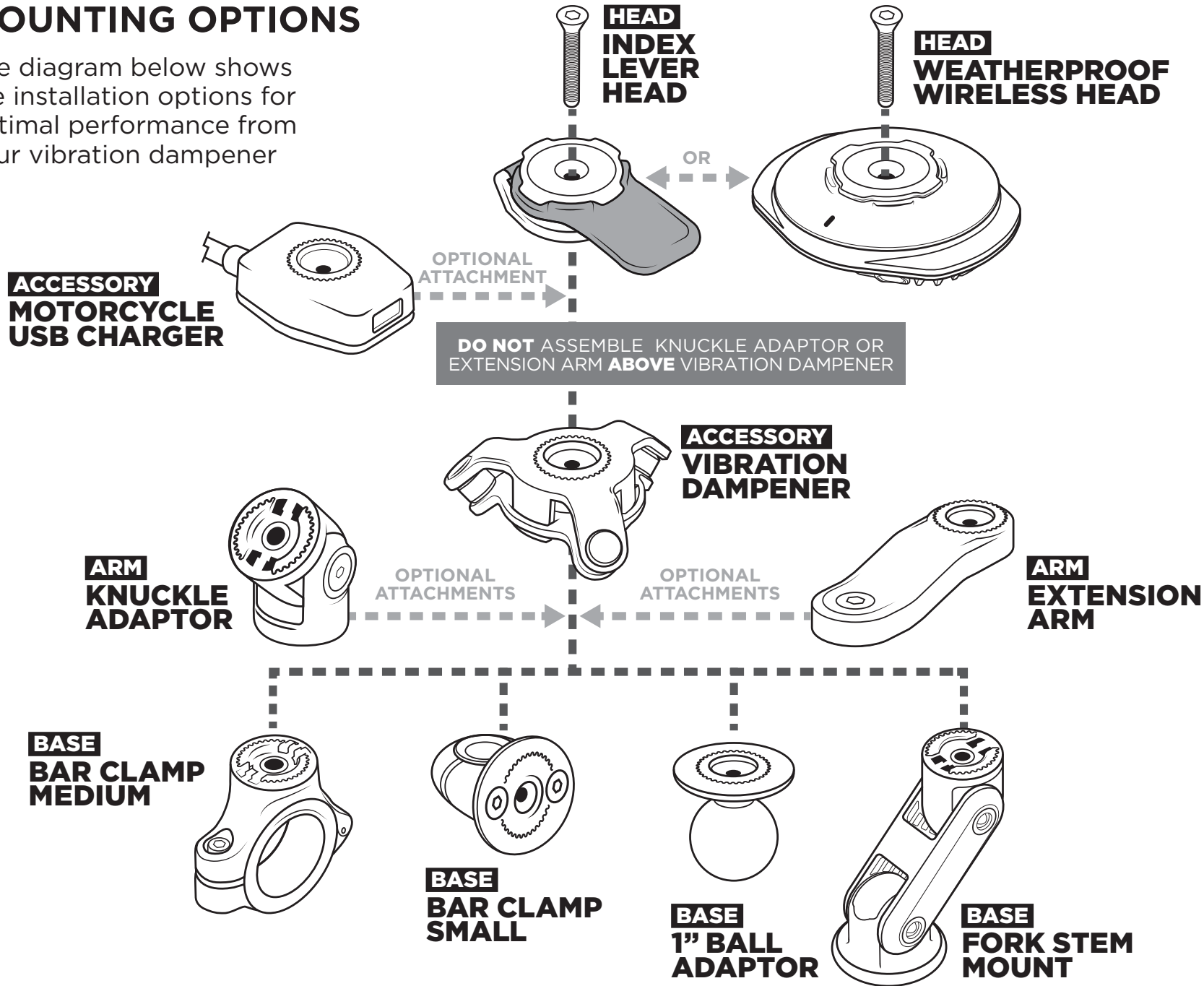


REMOVE PHONE



MOUNTING OPTIONS

The diagram below shows the installation options for optimal performance from your vibration dampener



RACCOLTA DIFFERENZIATA.
VERIFICA LE DISPOSIZIONI DEL TUO COMUNE.
SVUOTARE L'IMBALLAGGIO.

