

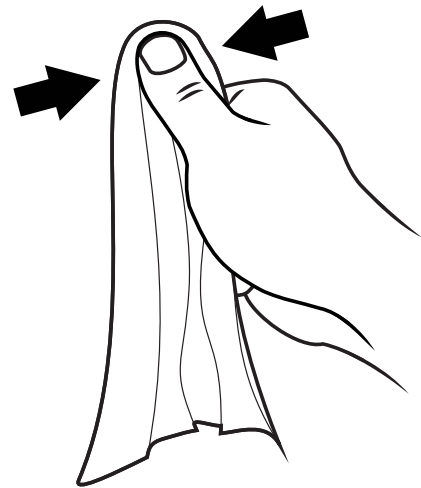
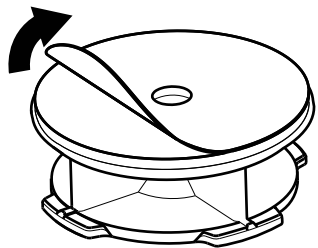
## **MOUNT** ADHESIVE WALL MOUNT

### INSTALL

1.

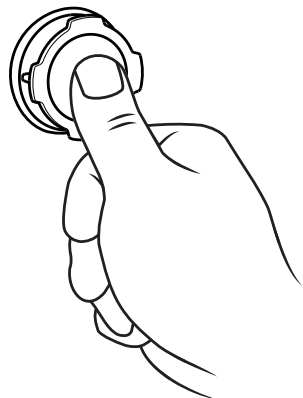
Clean mounting area with alcohol.

Best adhesion on flat, nonporous surfaces.



2.

Peel the adhesive backing from the rear of the mount.



3.

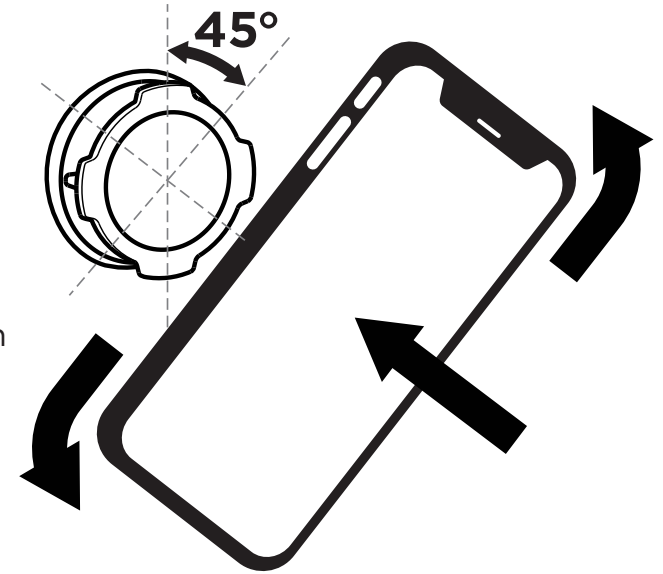
Position mount and press down firmly.

Mount can also be screwed through the center hole (screw not supplied).

### USE

Position your Quad Lock case centrally over the mount at 45°. Place your case onto the mount and twist until you feel it click into position.

Rotate case to change orientation (portrait or landscape) or to release from the mount.



### REMOVE

Apply heat from a hair dryer and carefully peel the mount from surface. We recommend you do not re-use the mount after removal.



RACCOLTA DIFFERENZIATA.  
VERIFICA LE DISPOSIZIONI DEL TUO COMUNE.  
SVUOTARE L'IMBALLAGGIO.