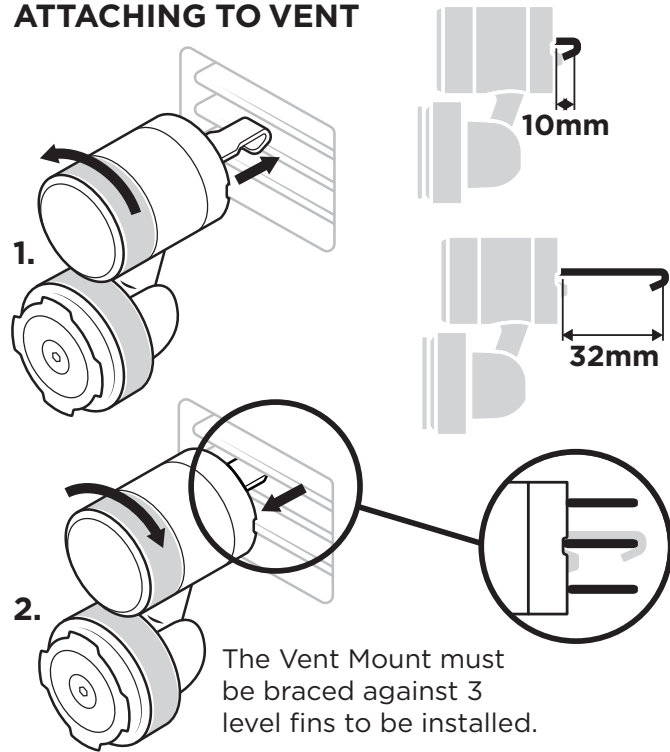


MOUNT CAR VENT MOUNT

ATTACHING TO VENT

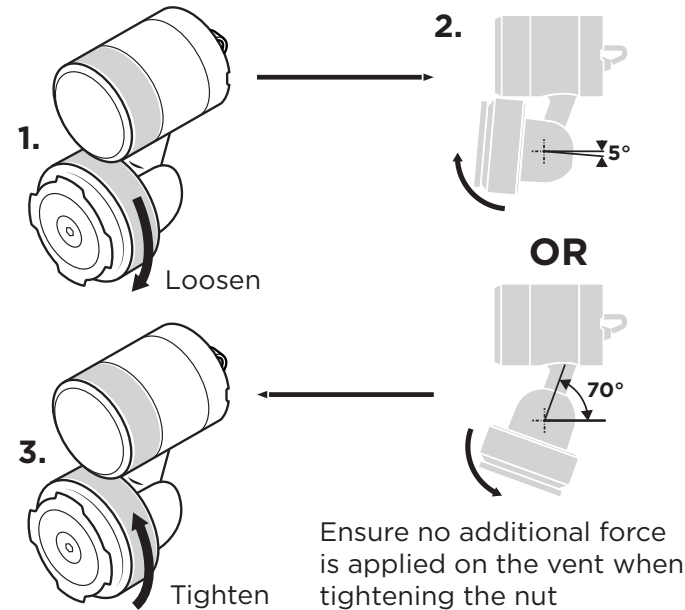


3. Please ensure the back of the mount is not interacting with the vent housing (shown in grey).

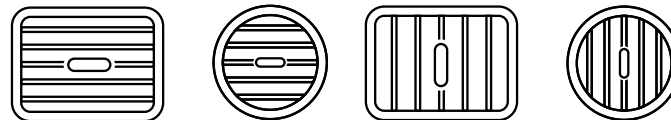


Ensure the mount doesn't interfere with essential vehicle operation (steering, braking, airbags etc).

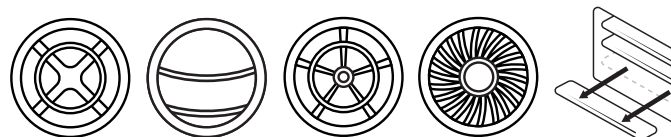
ADJUST ANGLE (OPTIONAL)



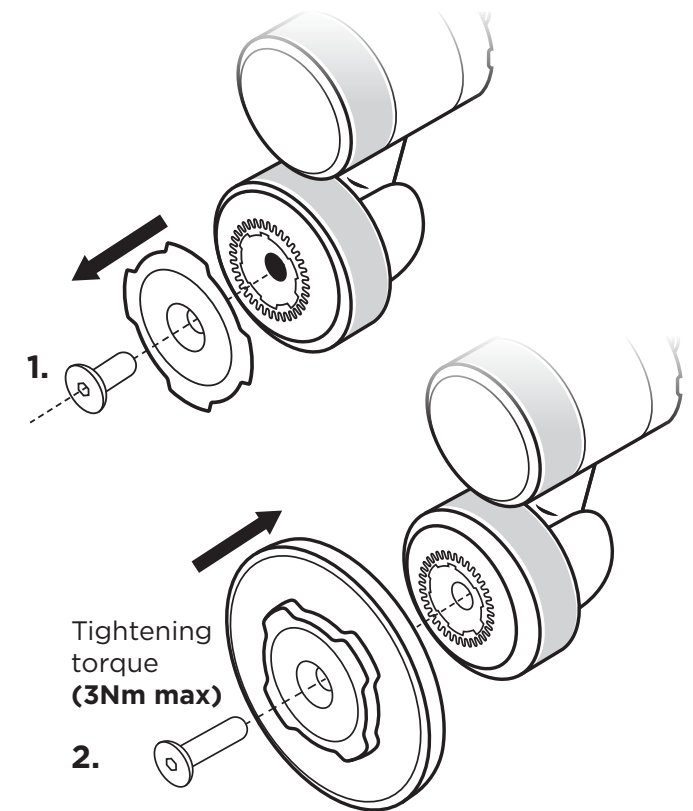
COMPATIBLE VENTS



INCOMPATIBLE VENTS

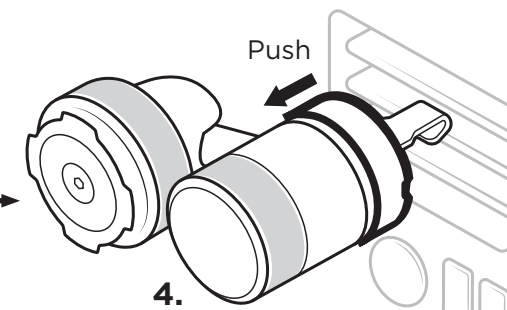
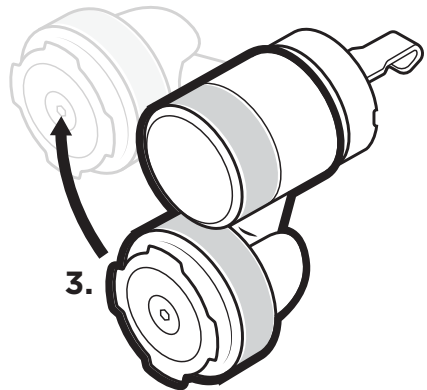
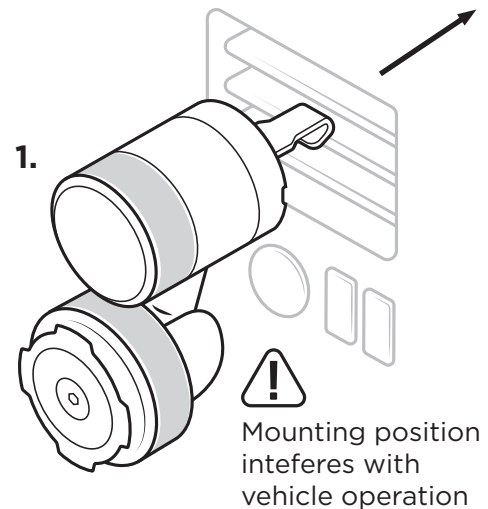
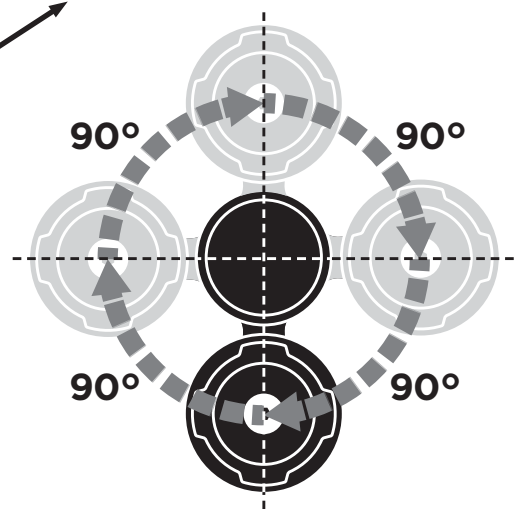
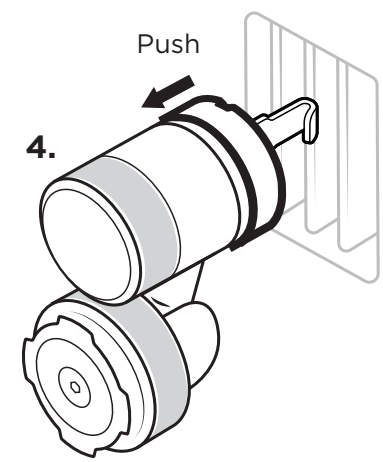
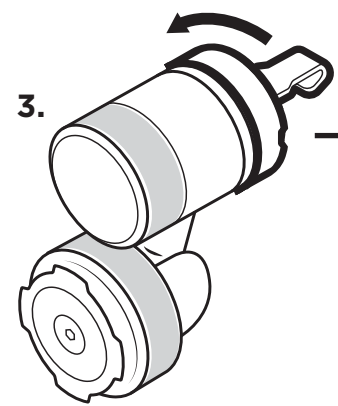
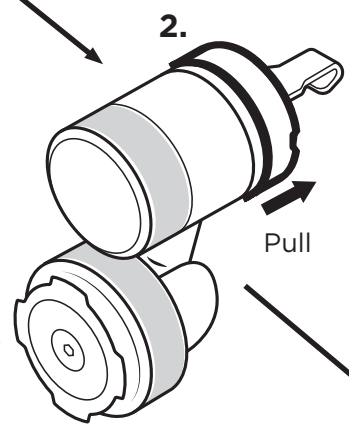
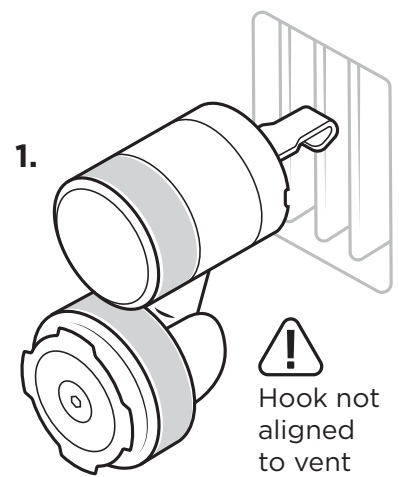


REPLACING TOP CAP WITH A 360™ COMPATIBLE HEAD



Ensure no additional force is applied on the vent when tightening the screw

CHANGING THE HOOK OR HEAD ORIENTATION (OPTIONAL)



RACCOLTA DIFFERENZIATA.
VERIFICA LE DISPOSIZIONI DEL TUO COMUNE.
SVUOTARE L'IMBALLAGGIO.

