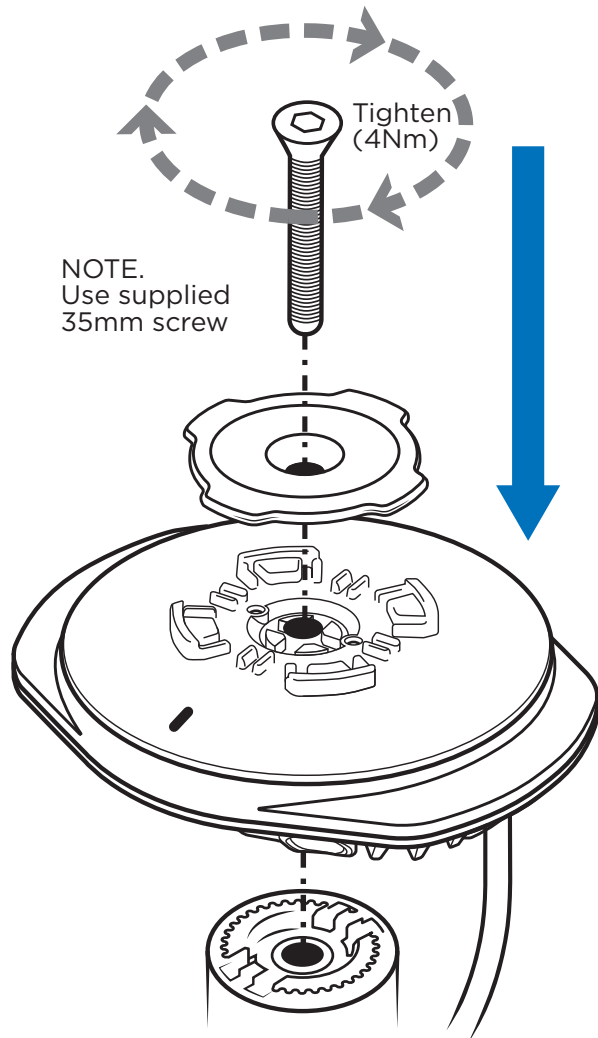
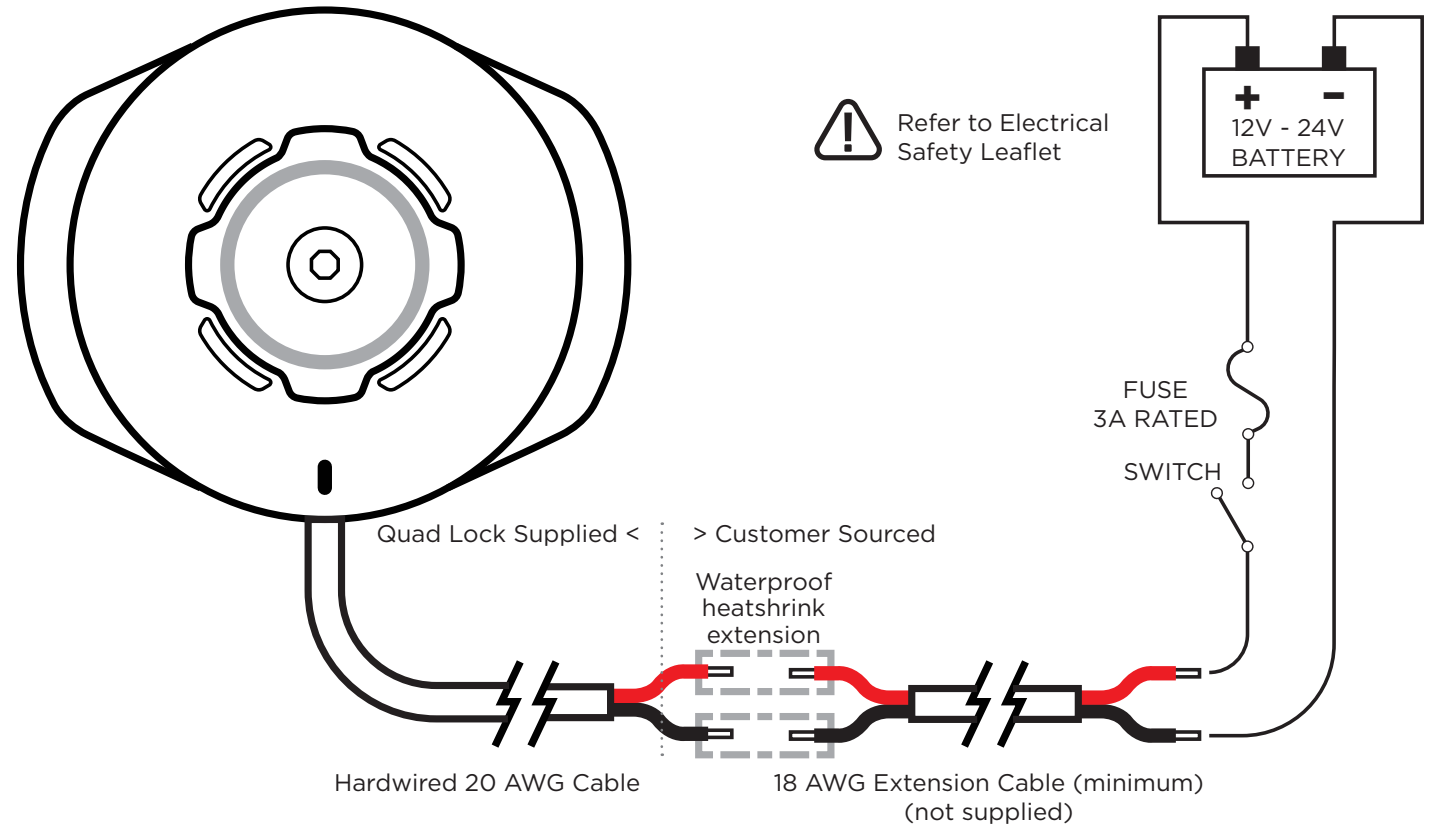


HEAD 12V-24V WATERPROOF WIRELESS CHARGER


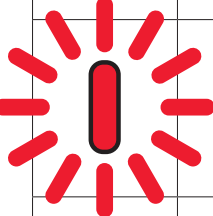

Installation



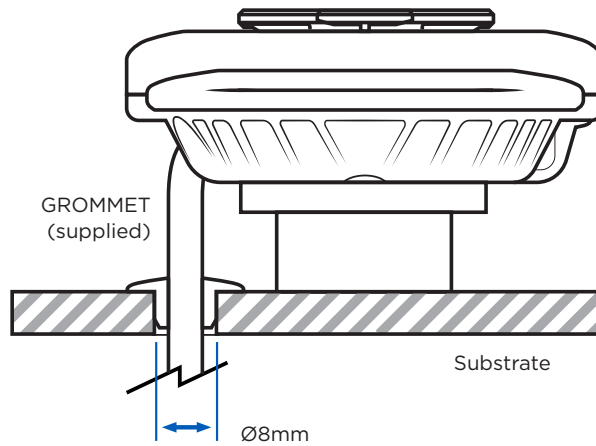
Wiring Diagram



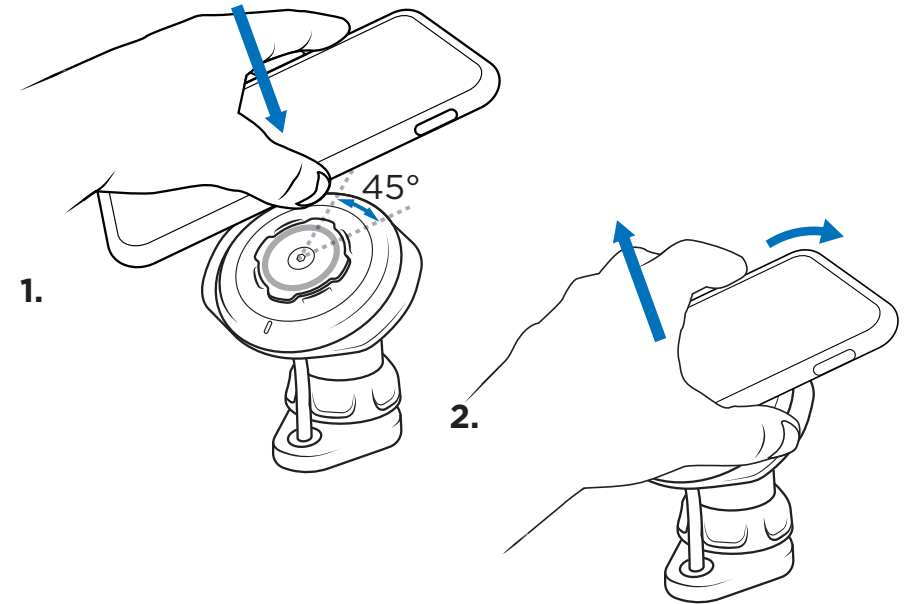
LED states

	POWER ON / STAND BY
	ERROR MODE
	CHARGING / FULL CHARGE

Installation With Grommet



Attaching Your Phone



Cable Fitment

USING CABLE TIES?

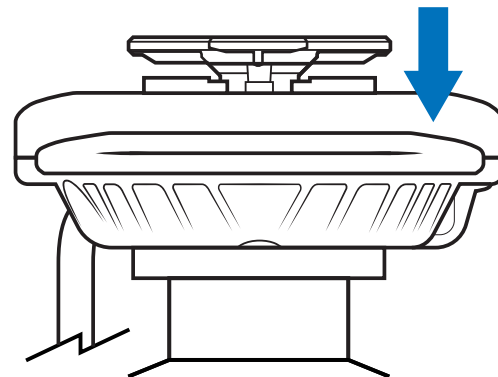
Recommend not to tighten the cable ties too much to avoid stressing the cables and causing damage.

Ensure there is some slack in the cable near the Wireless Charging Head to allow for ease of engaging / disengaging the phone on Wireless Charger.

Wireless Charger has a cable routing groove on the underside to hold the cable.

CABLE CLEARANCE

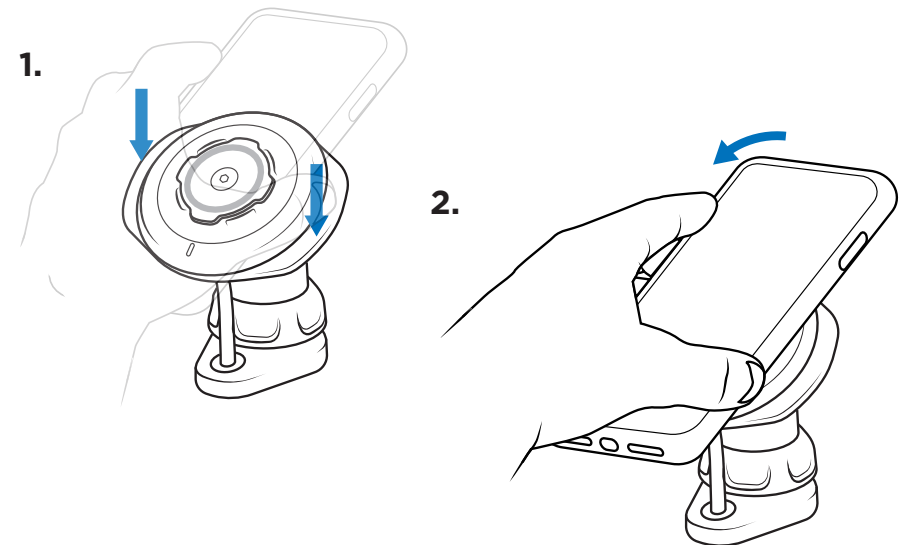
Once the Wireless Charging Head is installed in the preferred orientation, push down on it to ensure the cable does not interfere with other devices or any operation (steering, breaking, etc).



Attaches to a
Quad Lock 360
& **ARM**

BASE

Detaching Your Phone



FR



RACCOLTA DIFFERENZIATA.
VERIFICA LE DISPOSIZIONI DEL TUO COMUNE.
SVUOTARE L'IMBALLAGGIO.