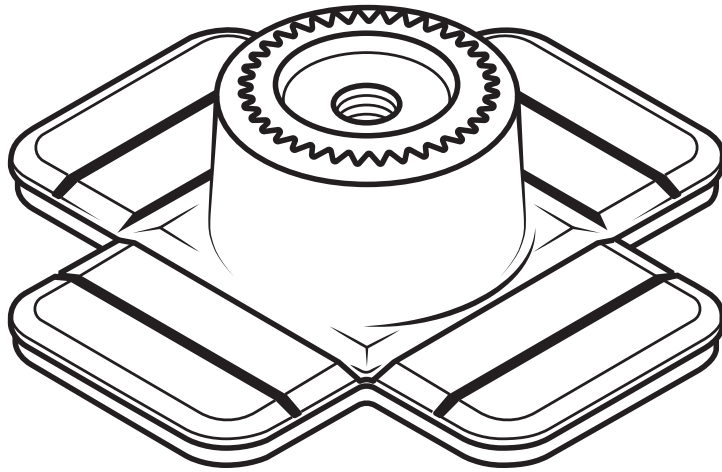
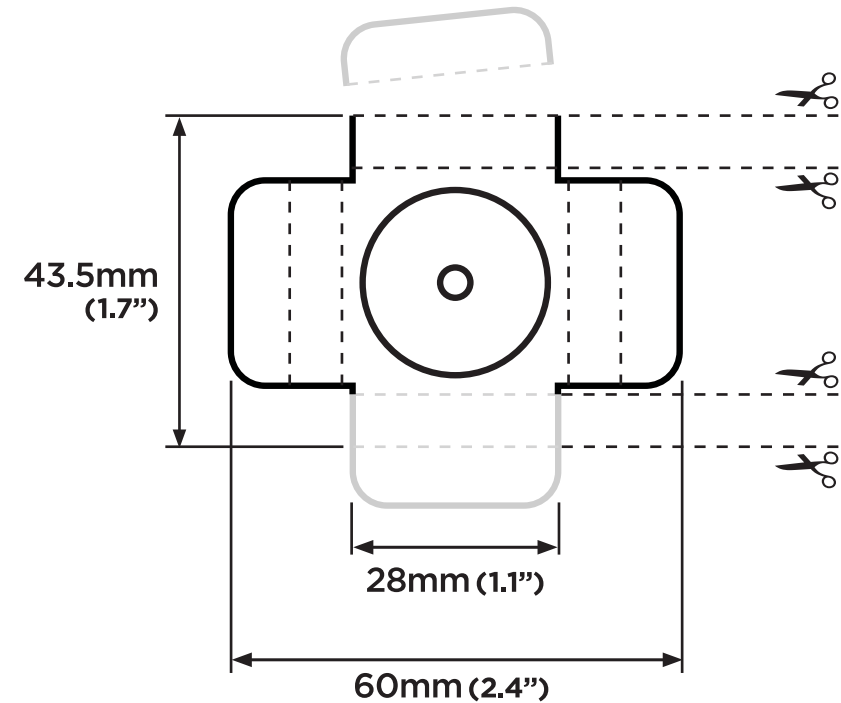


## **BASE** **FLEXIBLE ADHESIVE**



1. Clean the mounting surface with provided isopropyl alcohol cleaning wipe.
2. Bend tabs to match profile of mounting surface before attaching.
3. Peel off the adhesive backing and position the mount on to the surface. Apply even pressure by firmly pressing down for 30-60 seconds. Full bond strength is achieved after 24hrs.



To suit small mounting areas, we recommend cutting no more than two tabs along the bend lines, which must ONLY be from the opposite side.



RACCOLTA DIFFERENZIATA.  
VERIFICA LE DISPOSIZIONI DEL TUO COMUNE.  
SVUOTARE L'IMBALLAGGIO.